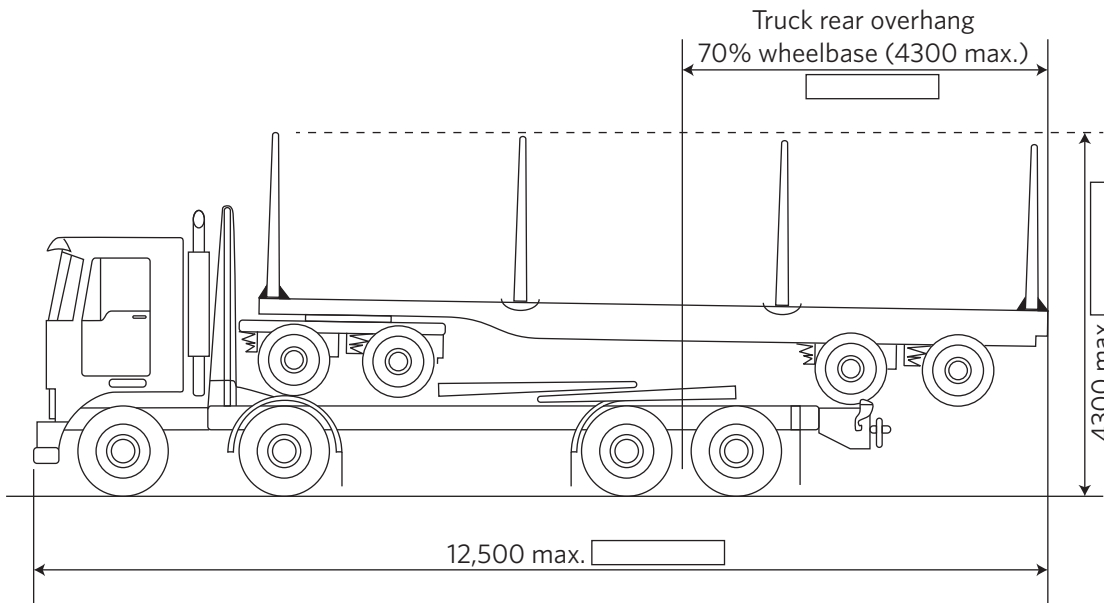
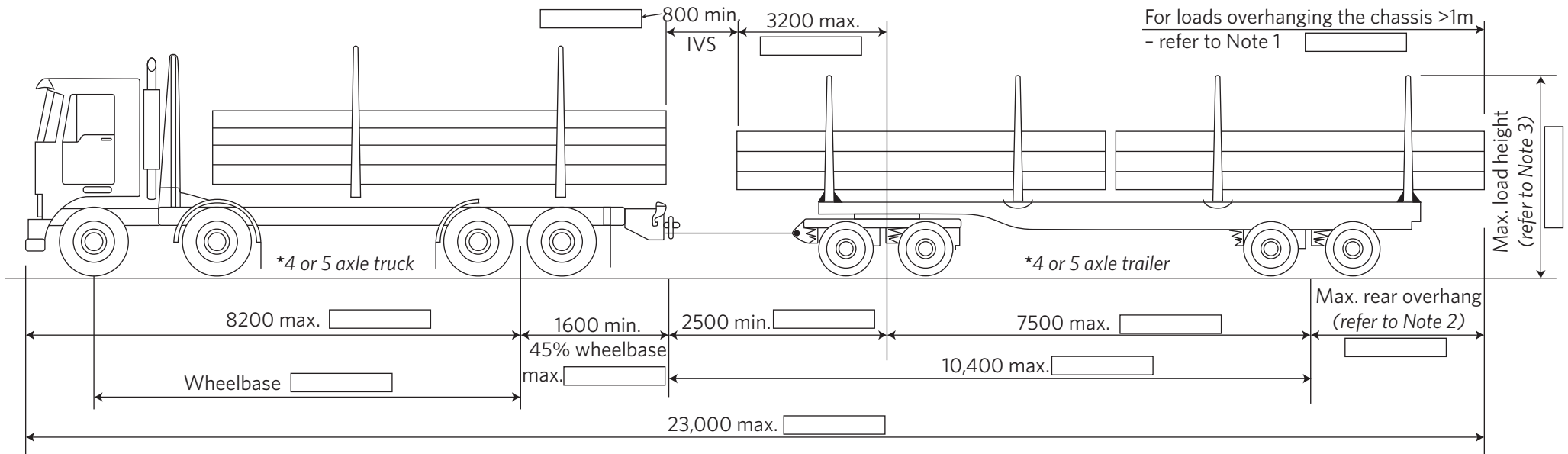


23m truck and full trailer (logs)



Note 1 For loads overhanging the chassis by more than 1m, warning flags or panels are required. The length of vehicle combination inclusive of load length may not exceed 23m.

Note 2 Maximum trailer rear overhang from rear axis = 3.75m or 50% of trailer wheelbase - subject to compliance with Note 1.

Note 3 Maximum load height:
Certified SRT of 0.35g at nominated maximum load height for trailers equipped with active roll stability control (RSC).

Note 4 If a 5 axle truck, logs up to 6.1m must be double-bunked on the trailer, or gross combined weight restricted to 46,000kgs on approved routes or restricted to 44,000kgs across the network.

Note 5 Truck may be 5 axles if tandem drive. Trailer may be 5 axle.

Note 6 Trailer may be 3 axle for operations up to 45,000kg gross combined mass on approved routes or restricted to 44,000 kgs across the network.